



Thank you for purchasing this Porta Slide Illuminated Slide Viewer. In just a few moments, your memories will come to light.

Getting Started

The slide viewer is powered by 2 AA batteries (not included) that must be installed before using. Please see reverse side for warnings.

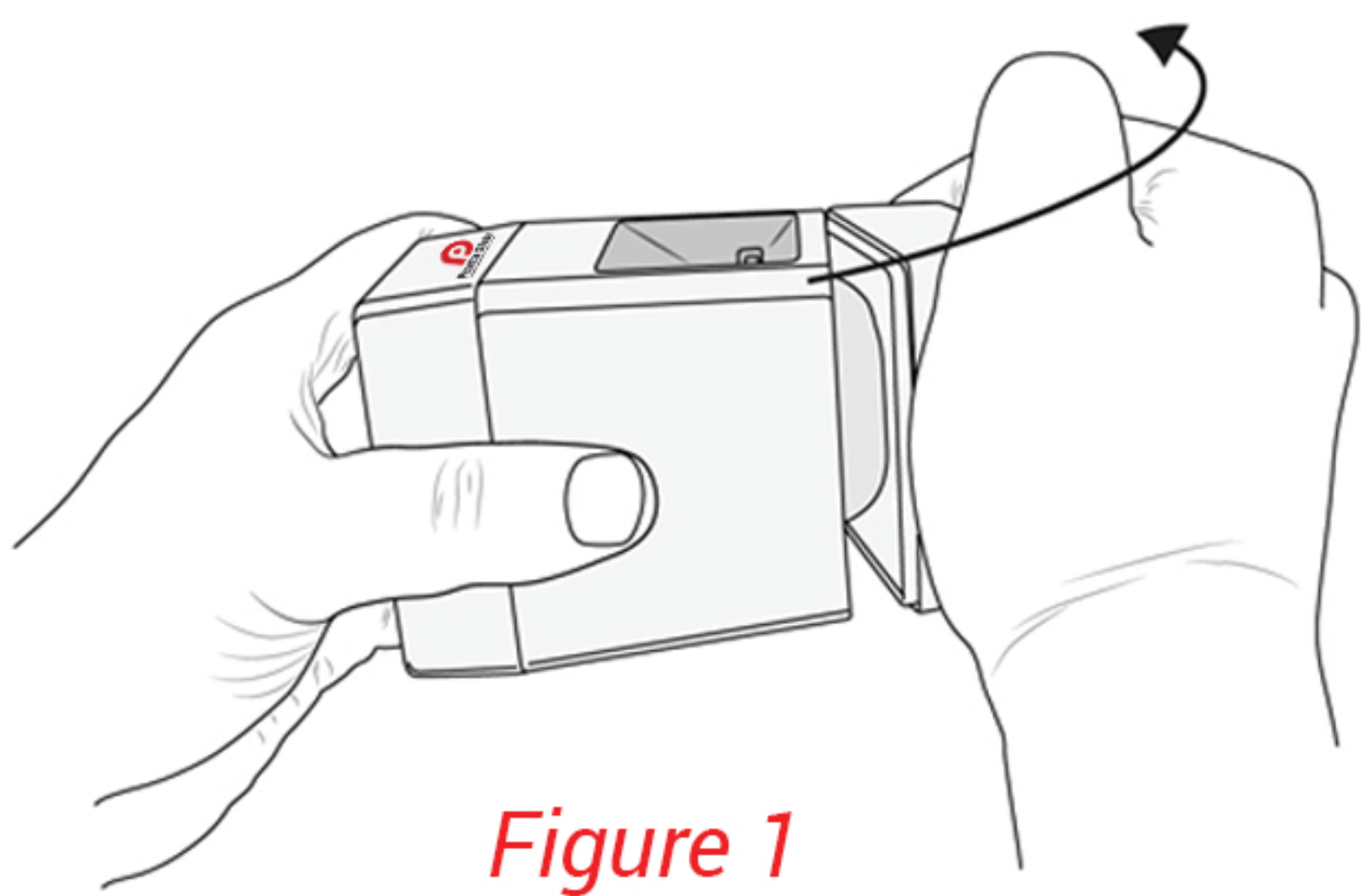


Figure 1

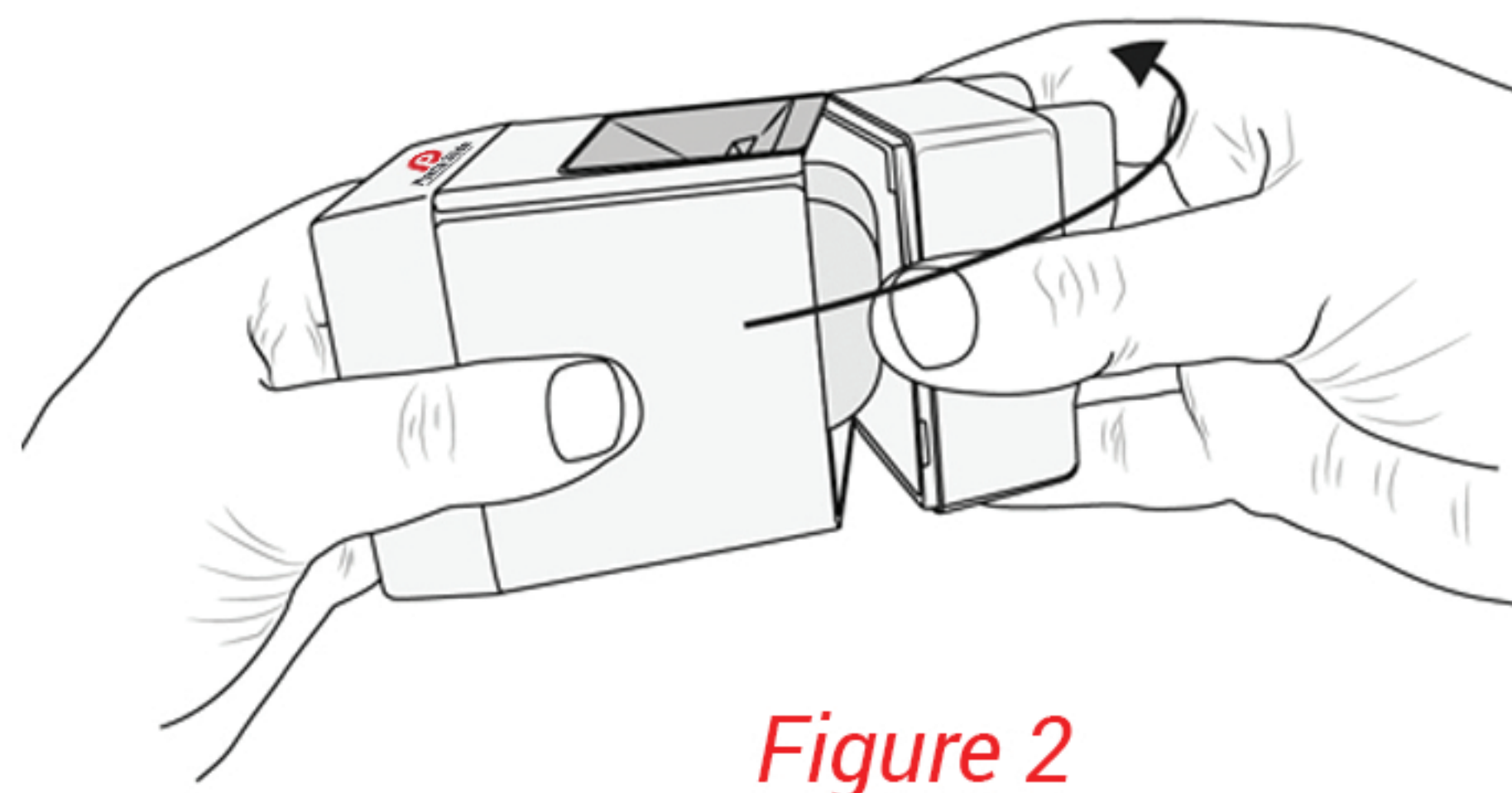
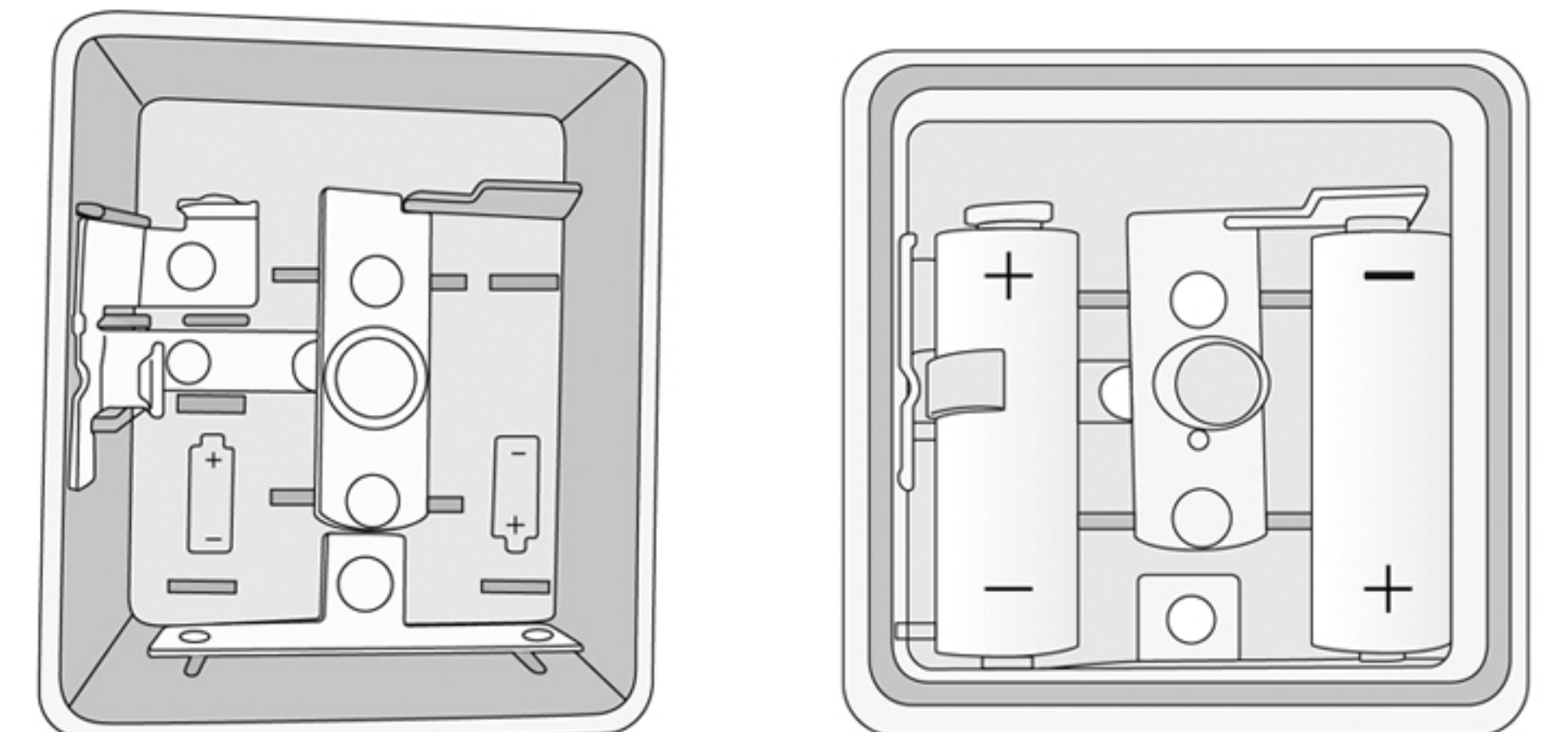
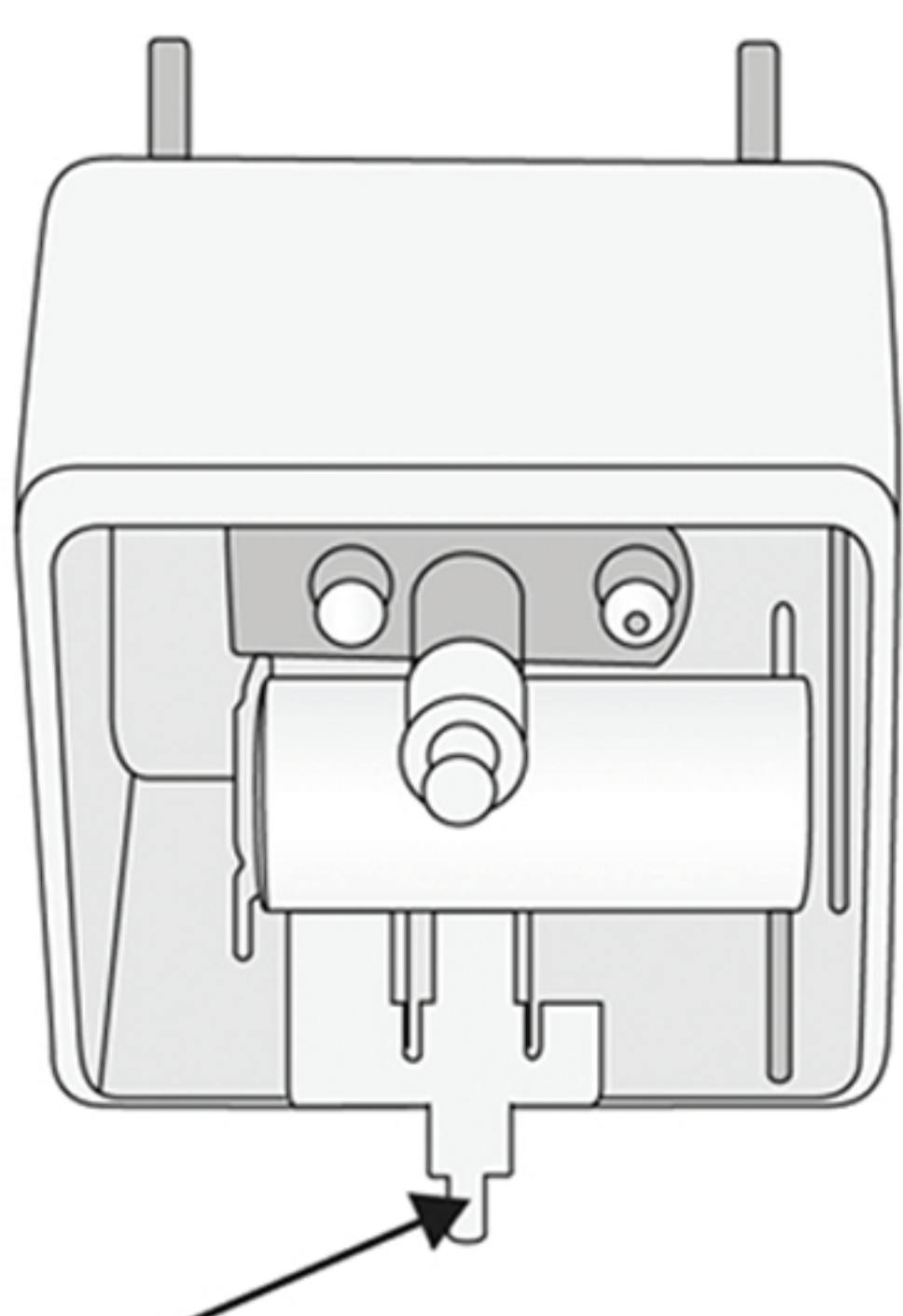


Figure 2

While being careful not to touch the glass screen, firmly grasp the front of the viewer in your left hand. Then, grasping the back panel with your right hand (figure 1) or fingers (figure 2), gently pull the back panel away from the viewer.

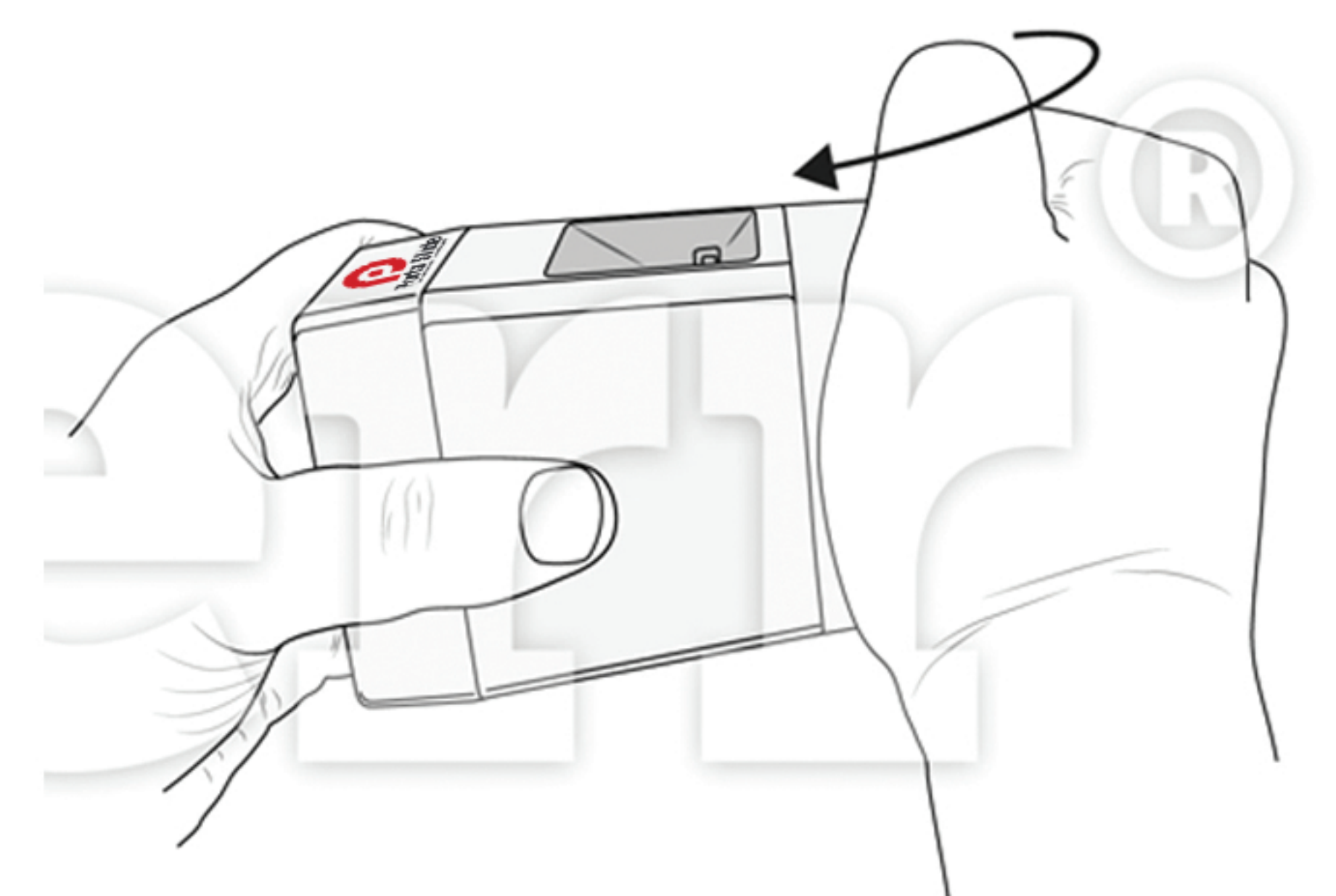
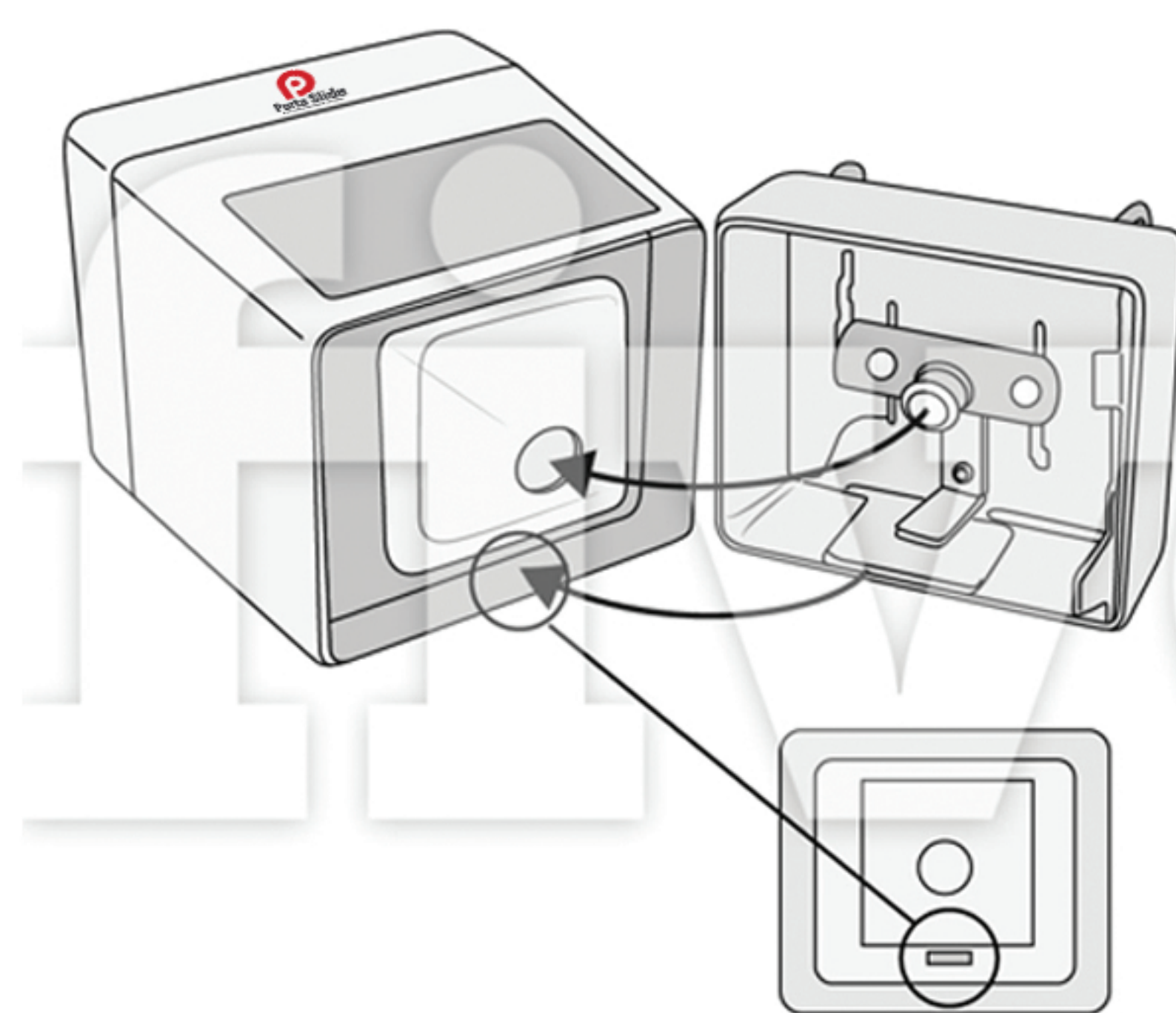


Install batteries.



Press tab to check battery installation

Once the batteries are installed, lightly press down on the protruding metal tab. The light bulb should turn on, confirming the batteries are installed correctly.



To close the battery compartment, firmly grasp the viewer in your left hand, being careful not to touch the glass screen. Close the battery compartment with your right hand. Then, line up the light bulb with the center round hole and metal tab with the square hole on the lower edge. Firmly press the battery compartment onto the viewer until you hear an audible snap.