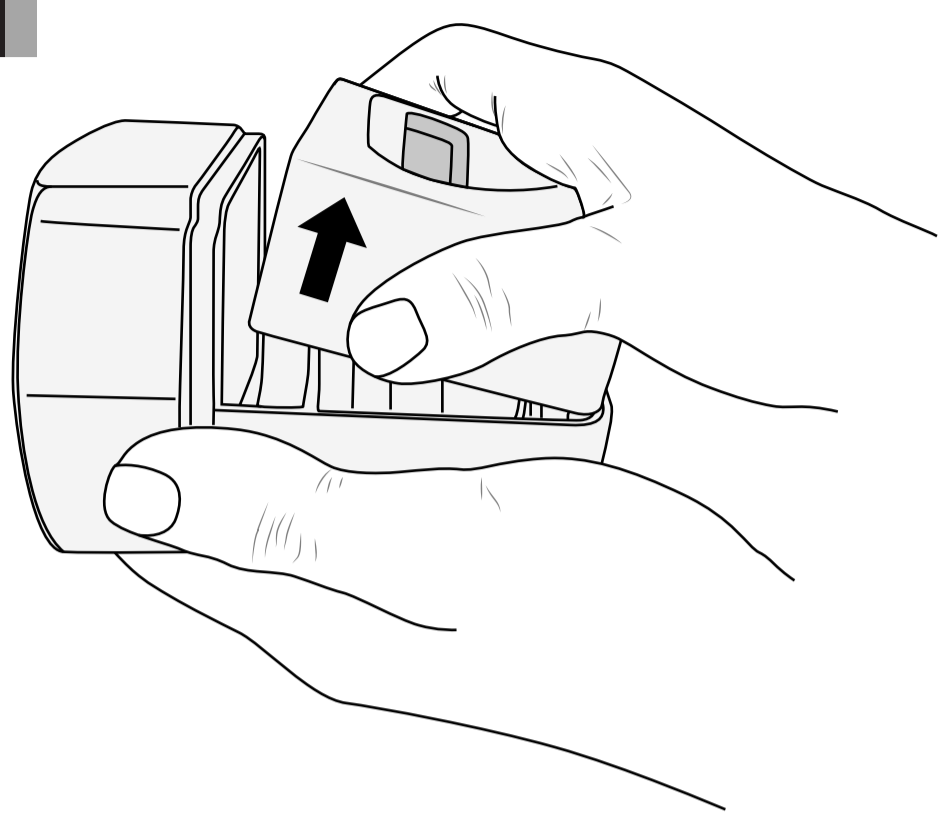
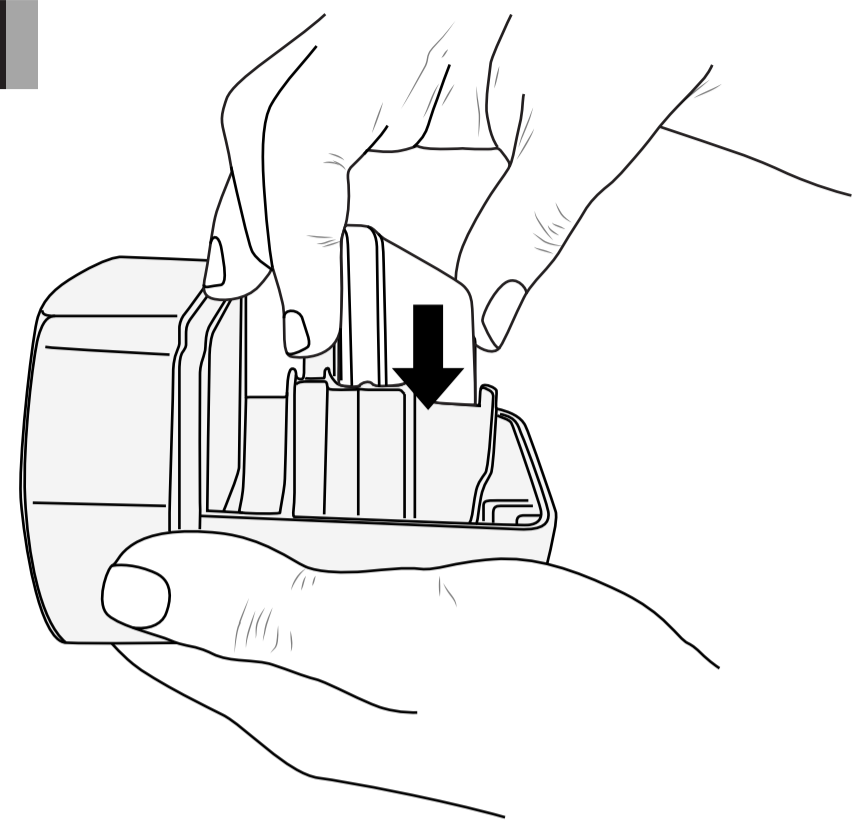


# INSTRUCTIONS

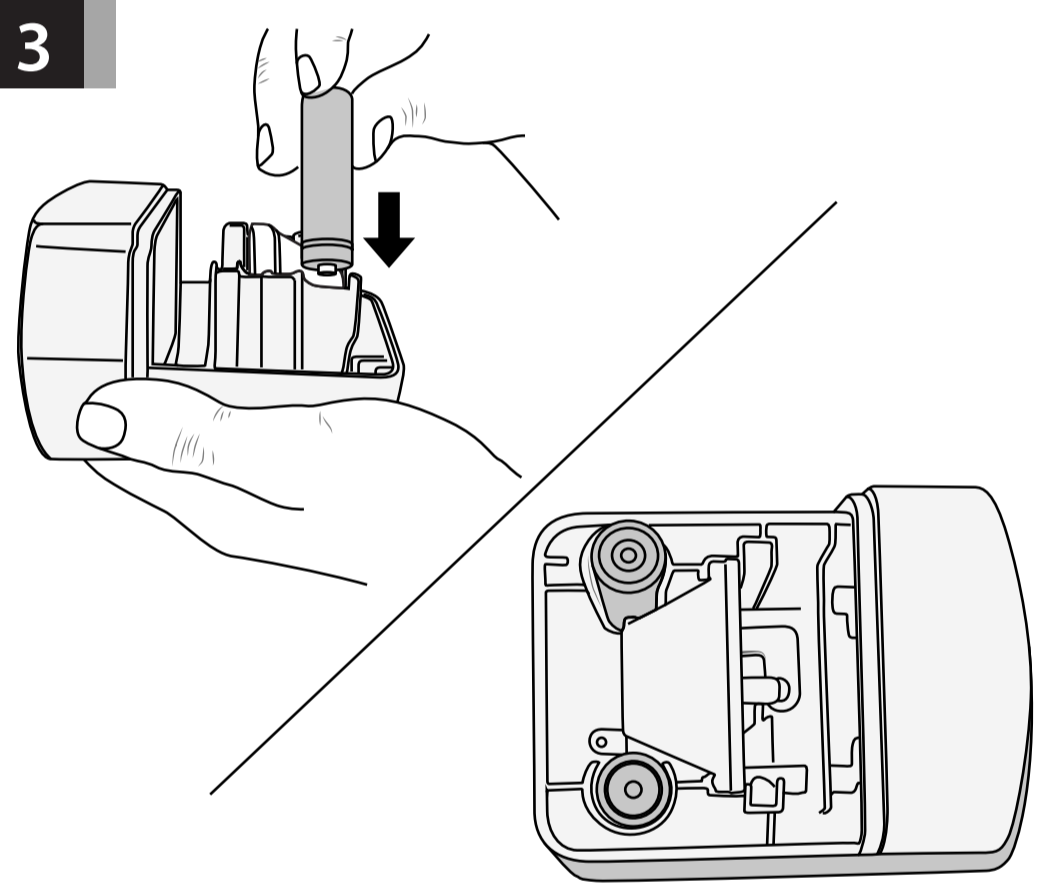
1



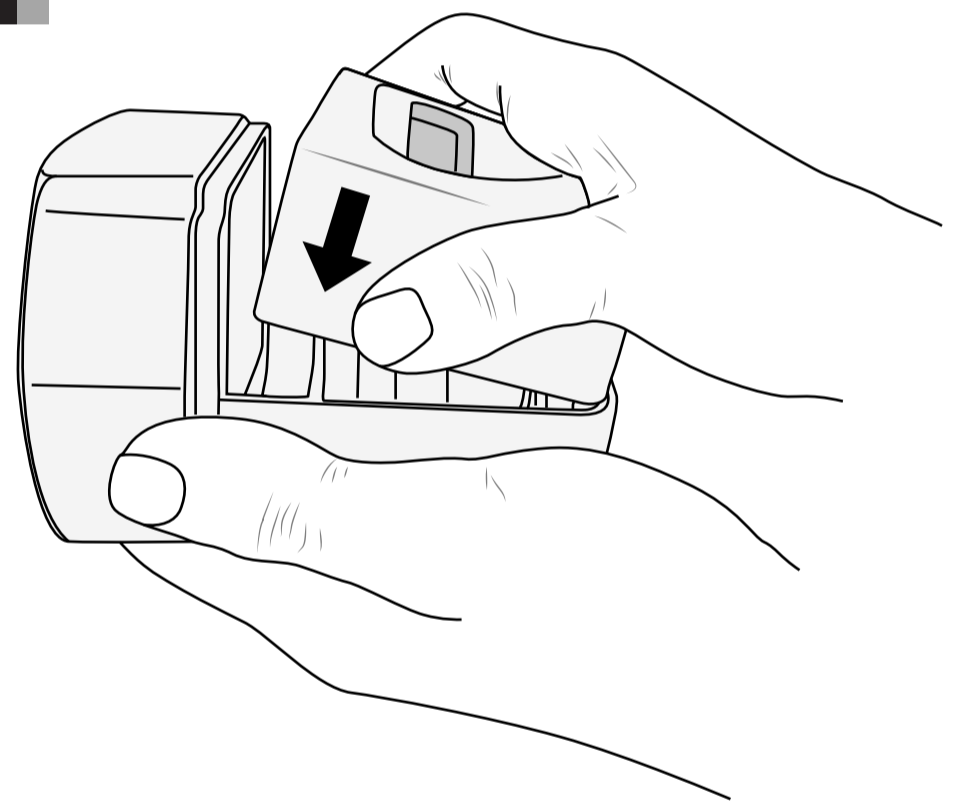
2



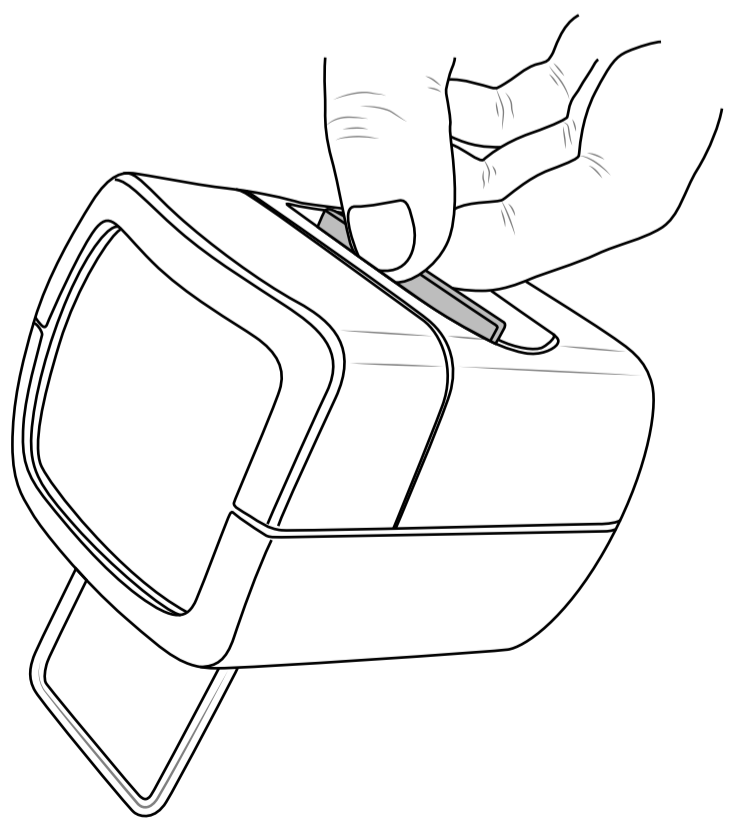
3



4



5



6

